



Main

Range of product	Magelis GXO
Product or component type	Touch panel screen
Display size	7 inch
Display type	Colour TFT LCD
Display colour	65536 colours
Pixel resolution	800 x 480
Brightness	8 levels via touch panel
Memory description	Flash (NAND) 16 MB Application run (SDRAM) 64 MB Back up of data (Non-Volatile SRAM (NVS RAM)) 128 kB
Type of cooling	Natural

Complementary

Integrated connection type	COM1 serial link - 1 port(s) - male SUB-D 9 - RS232C - 2400...115200 bps COM2 serial link - 1 port(s) - male SUB-D 9 - RS422/RS485 - 2400...187500 bps USB type A - 1 port(s) - USB type A USB type mini B - 1 port(s) - USB type B
Software package	Vijeo Designer software 6.0
[Us] rated supply voltage	24 V DC +/- 20%
Inrush current	<= 50 A
Power consumption	<= 7 W
Height	153.2 mm
Width	207.8 mm
Depth	59.8 mm

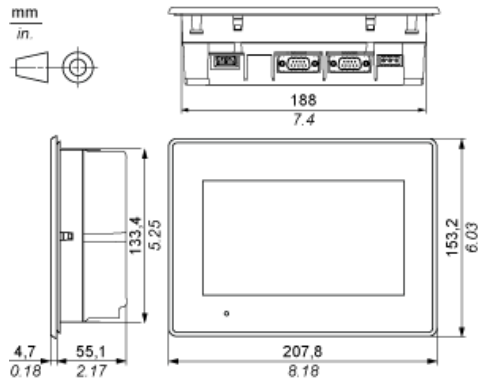
Environment

IP degree of protection	IP65 for front panel conforming to IEC 60529 IP20 for rear panel conforming to IEC 60529
Pollution degree	2
Electromagnetic compatibility	Radiated radio-frequency electromagnetic field immunity test 10 V/m, 80 MHz...1 GHz Radiated radio-frequency electromagnetic field immunity test 3 V/m, 1.4 MHz...2 GHz Radiated radio-frequency electromagnetic field immunity test 1 V/m, 2...3 GHz Electrical fast transient 2 kV for power ports conforming to EN/IEC 61131-2 zone B Electrical fast transient 1 kV for other ports conforming to EN/IEC 61131-2 zone B High-energy surges 1 kV for differential mode conforming to IEC 61000-4-5 High-energy surges 2 kV for common mode conforming to IEC 61000-4-5
Ambient air temperature for operation	0...50 °C
Ambient air temperature for storage	-20...60 °C
Maximum pressure	800...1114 hPa
Relative humidity	85 %
Vibration resistance	1 gn (f=5...150 Hz) on the 3 axes conforming to IEC 60068-2-6
Shock resistance	15 gn (duration=11 ms) conforming to IEC 60068-2-27
Resistance to electrostatic discharge	4 kV on contact conforming to EN/IEC 61131-2 8 kV on air conforming to EN/IEC 61131-2

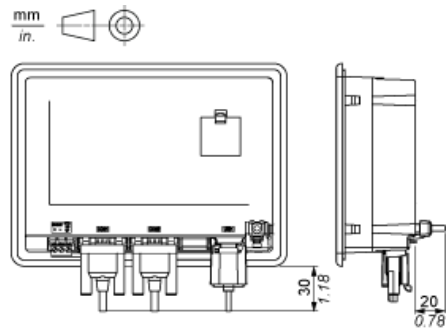
The information provided in this documentation contains general descriptions and/or technical characteristics of the performance of the products contained herein. This documentation is not intended as a substitute for and is not to be used for determining suitability or reliability of these products for specific user applications. It is the duty of any such user or integrator to perform the appropriate and complete risk analysis, evaluation and testing of the products with respect to the relevant specific application or use thereof. Neither Schneider Electric Industries SAS nor any of its affiliates or subsidiaries shall be responsible or liable for misuse of the information contained herein.

Dimensions

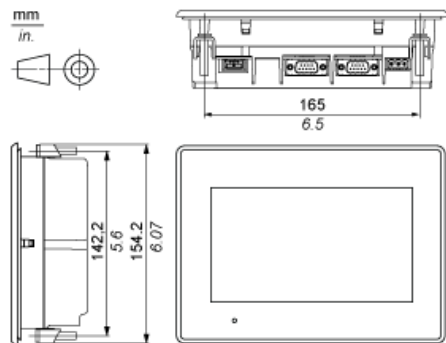
Panel Dimensions



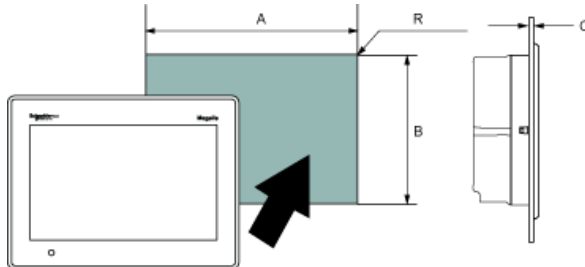
Dimensions with Cables



Dimensions with Screw Fasteners

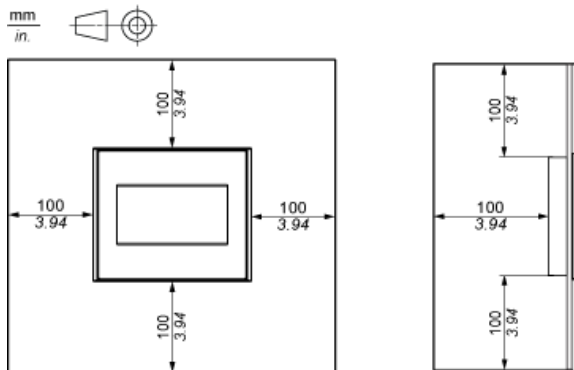


Panel Cut-out

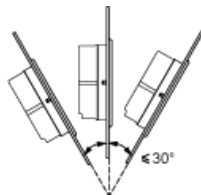


A	B	C (Panel Thickness)	R
190 mm (7.48 in) ± 1 mm (0.04 in)	135 mm (5.31 in) ±0.7 mm (0.03 in)	1.5...10 mm (0.06...0.39 in)	3 mm (0.12 in) max.

Air Circulation



Installation in a Slanted Panel



KWOCO AUTOMATION COMPANY LTD

B557, South Pearl Building, Sanlian Road, Longhua District, Shenzhen Guangdong, P.R. China.

Tel/Fax: +86-755-81481609

Email: sales@kwoco-plc.com

Web: www.kwoco-plc.com